

# TRM202

## 2-channel controller

TRM202 is a 2-channel process controller available in different enclosure variants: for wall and for panel mounting. This device is intended for measuring, displaying and controlling different physical process variables such as pressure, temperature, humidity, etc. Universal analog inputs and optional outputs provide particular flexibility when using this device for creating automatic control and regulation systems of various technological processes in different areas of industry, agriculture and utilities.

### Functions and features:

- Measuring the process value and its transformation according to the sensor type
- Displaying the process values and configuration parameters on two 4-digit LED displays
- Scaling and filtering the input signal
- Signal correction, square root function
- Calculation of the difference between two signals
- Independent on-off control of two process variables or three-step control of one process variable
- Network control (RS485 interface) with aKYtec, Modbus RTU and Modbus ASCII protocols as a Slave
- Signal retransmission using analog output 4-20 mA or 0-10 V
- Alarm output
- Sensor / input error detection
- Error indication
- Configuration via the functional keys

### Enclosure:



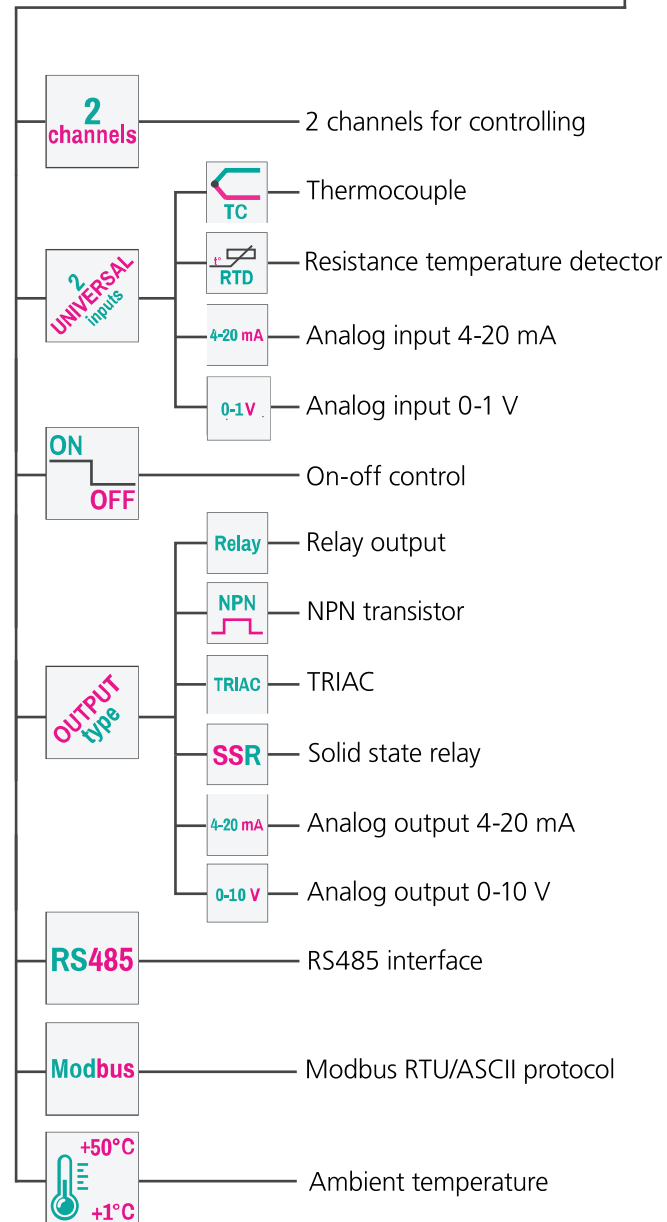
H1  
(96 x 96 x 70 mm)



H3  
(105 x 130 x 65 mm)



H2  
(96 x 48 x 100 mm)



Output type on request

# TRM202

## Areas of application:

The TRM202 process controller is especially recommended to be used for temperature measurement and control of mediums in refrigeration equipment, drying cabinets, various ovens, pasteurizers and in other process equipment.

## Technical Data:

|                                |                         |                   |   |                  |                   |
|--------------------------------|-------------------------|-------------------|---|------------------|-------------------|
| <b>Power supply</b>            |                         |                   | 230 (90...264) V AC; 50 (47...63) Hz  |                  |                   |
| <b>Power consumption, max.</b> |                         |                   | 6 VA  |                  |                   |
| <b>Analog inputs</b>           |                         |                   | 2 (ADC resolution 16 bit)   |                  |                   |
| <b>Optional outputs</b>        |                         |                   | 2   |                  |                   |
| <b>Sampling rate, max.</b>     |                         |                   | 1 s   |                  |                   |
| <b>Interface</b>               |                         |                   | RS485   |                  |                   |
| <b>Protocols</b>               |                         |                   | Modbus RTU / ASCII, akYtec  |                  |                   |
| <b>Baud rate</b>               |                         |                   | 2.4...115.2 kbit/s  |                  |                   |
| <b>Ambient temperature</b>     |                         |                   | +1...+50 °C   |                  |                   |
| <b>Enclosure</b>               |                         | <b>Type</b>       | H1  | H2               | H3                |
|                                |                         | <b>Dimensions</b> | 96 x 96 x 70 mm   | 96 x 48 x 100 mm | 105 x 130 x 65 mm |
|                                |                         | <b>IP Code</b>    | front IP54  | front IP54       | IP44              |
| <b>Input signal</b>            | <b>RTD</b>              | <b>IEC</b>        | Pt50, Pt100   |                  |                   |
|                                |                         | <b>GOST</b>       | 50P, 100P, 50M, 100M, Cu50, Cu100   |                  |                   |
|                                | <b>TC</b>               | <b>IEC</b>        | B, J, N, K, S, R, A, T  |                  |                   |
|                                |                         | <b>GOST</b>       | L, A-2, A-3   |                  |                   |
|                                | <b>Standard signals</b> |                   | 0-5 mA, 0-20 mA, 4-20 mA, -50...+50 mV, 0-1 V                                   |                  |                   |
| <b>Outputs</b>                 | <b>R</b>                | <b>Relay</b>      | 8 A, 230 V AC / 30 V DC   |                  |                   |
|                                | <b>T</b>                | <b>NPN</b>        | 200 mA, 40 V DC   |                  |                   |
|                                | <b>C</b>                | <b>TRIAC</b>      | 50 mA (240 V AC, constantly open),<br>500 mA (f ≤ 50 Hz, pulse duration ≤ 5 ms) |                  |                   |
|                                | <b>S</b>                | <b>SSR</b>        | 100 mA, 4...6 V DC  |                  |                   |
|                                | <b>I</b>                | <b>4-20 mA</b>    | 10...30 V, max. 1 kohm (DAC resolution 10 bit)                                  |                  |                   |
|                                | <b>U</b>                | <b>0-10 V</b>     | 15...30 V, min. 2 kohm (DAC resolution 10 bit)                                  |                  |                   |

## Ordering code:

TRM202. X . X

### Enclosure

|                               |    |
|-------------------------------|----|
| 96 x 96 x 70 mm, panel mount  | H1 |
| 96 x 48 x 100 mm, panel mount | H2 |
| 105 x 130 x 65 mm, wall mount | H3 |

### Output type

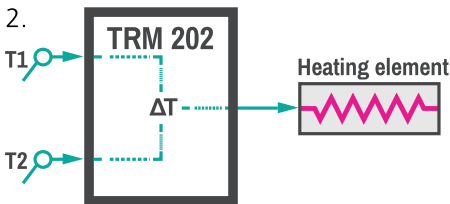
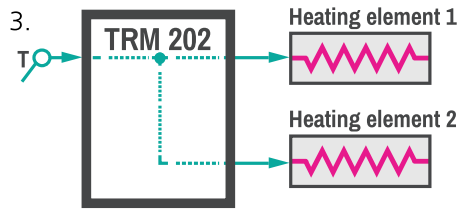
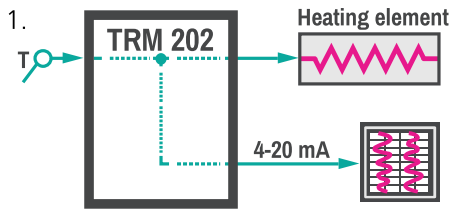
|                       |   |
|-----------------------|---|
| Relay output*         | R |
| NPN transistor*       | T |
| TRIAC*                | C |
| Solid state relay*    | S |
| Analog output 4-20 mA | I |
| Analog output 0-10 V  | U |

\* For three-step control the device should be equipped with two digital outputs.

| Standard variants | Description               | Enclosure                     |
|-------------------|---------------------------|-------------------------------|
| TRM202-H1.RR      | 2DO (Relay)               | 96 x 96 x 70 mm, panel mount  |
| TRM202-H2.RR      | 2DO (Relay)               | 96 x 48 x 100 mm, panel mount |
| TRM202-H3.RR      | 2DO (Relay)               | 105 x 130 x 65 mm, wall mount |
| TRM202-H1.RI      | 1DO (Relay)+1AO (4-20 mA) | 96 x 96 x 70 mm, panel mount  |
| TRM202-H2.RI      | 1DO (Relay)+1AO (4-20 mA) | 96 x 48 x 100 mm, panel mount |
| TRM202-H3.RI      | 1DO (Relay)+1AO (4-20 mA) | 105 x 130 x 65 mm, wall mount |

# TRM202

## Typical application cases



1. Regulation with signal retransmission over the analog output 4-20 mA or 0-10 V.
2. Regulation of the difference between two measured values.
3. One-channel three-step control (with two different setpoints).

