



48 x 96mm

Features :

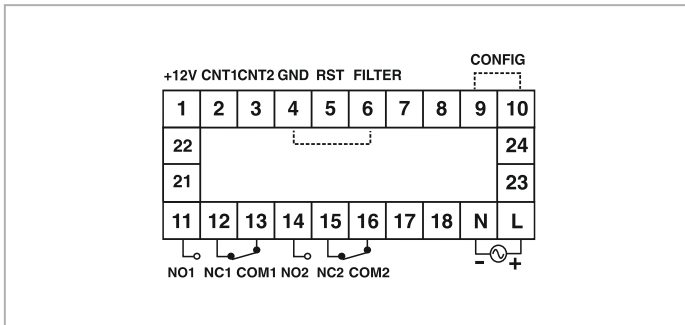
- ▶ 6 digits counter, 5 digits RPM Indicator
- ▶ LED Indications: Relay1, Relay2
- ▶ Dual set point
- ▶ Programmable input scaling
- ▶ Up, Down, Quadrature & Bi-directional counting direction

Certifications:

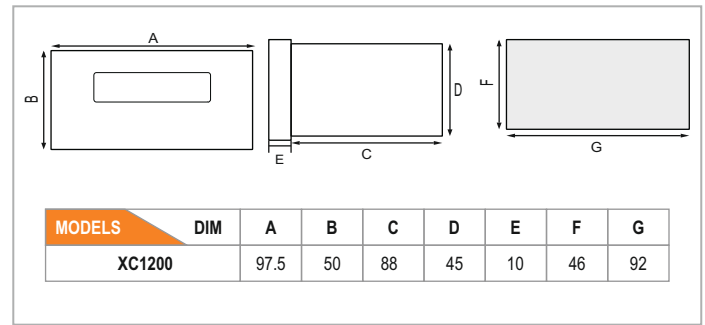
Technical specifications

Display specifications	
Display	6 digits for Counter, 5 digits for RPM Indicator
LED indication	Relay1, Relay2
Input specifications	
Sensor type	NPN, PNP, Potential free contact encoder
Input type	Voltage pulse (3 to 30V DC) from Proximity switches, Encoders, Solid state devices, Potential free contact
Input speed	a) 0 to 30Hz b) 0 to 2.5kHz c) 0 to 5kHz (for up & down mode only)
Accuracy	Rate: 0.05% ± 2 counts
Output specifications	
Sensor supply	Inbuilt, 12V DC, 30mA (short circuit protected)
Contact rating	Relay: NO: 10A 250 VAC/ 28 VDC NO/ NC: 5A/ 5A 250 VAC/ 28 VDC
Relay contact	2X SPDT
Functional specifications	
Modes	ON delay/ Interval/ Auto reset/ Time pulse repeat
Time ranges	Count: Selectable least count 0.0001, 0.001, 0.01, 0.1 & 1 Rate: Auto ranging 4.00 to 99999 RPM or RPH mode
Counting direction	Up, Down, Bidirectional, Quadrature
Set point	2
Scale factor	0.00001 to 9.99999 x 10 n = - 5, - 4, - 3, - 2, - 1, 0, 1, 2
Reset	Front (user selectable), Remote
Memory retention	Yes
Auxiliary supply specifications	
Supply voltage	90 to 270 VAC/ DC (50/ 60Hz)
Power consumption	5VA Max.
Environment specifications	
Temperature	Operating: 0 to 50°C (32 to 122°F) Storage: - 20 to 75°C (- 4 to 167°F)
Humidity (non - condensing)	95% RH
Mechanical specifications	
Mounting	Panel mount
Weight	260gms

Terminal connections



Dimensions (All are in mm)



Compliance

Applicable EMI / EMC Standards		
Product Standard		
Category	Reference Standards	Testing Level
Electrostatic Discharge	IEC 61000-4-2	Level-3
Electrical Fast Transient / Brust	IEC 61000-4-4	Level-3
Electromagnetic Field	IEC 61000-4-3	Level-3
Surge	IEC 61000-4-5	Level-3
Conducted RF	IEC 61000-4-6	Level-2
Rated Power Frequency	IEC 61000-4-8	Level-4

Applicable EMI / EMC Standards		
Product Standard		
Category	Reference Standards	Testing Level
Voltage Dip / Short Interruptions	IEC 61000-4-11	Level-3
Conducted Emissions	CISPR-11	Class-B
Rated Emissions	CISPR-22	Class-A
Emission & Immunity	IEC 61326-1	
Safety	IEC 61010-1	
PFMF (Passing criteria)	IEC 61000-4-8	Class A

Ordering information

Product code	Supply voltage	Certification
XC1200	90 to 270 VAC/ DC	CE