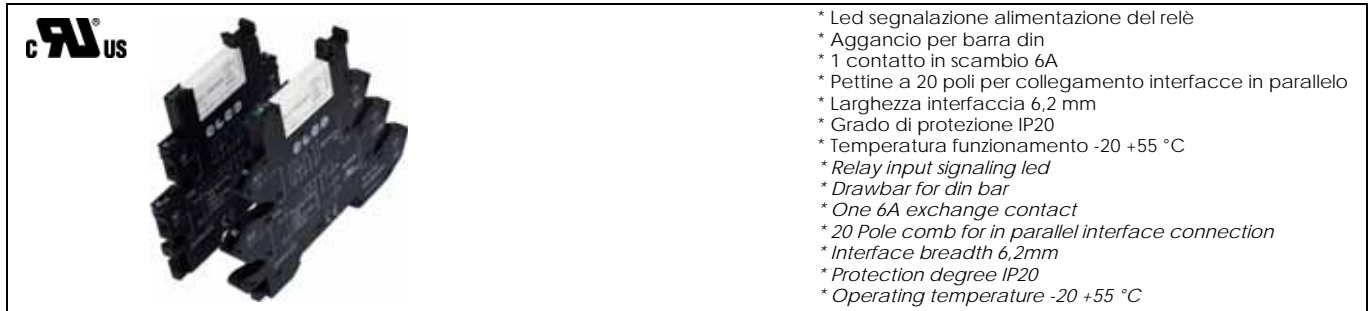


## SERIE ECLR CON RELÈ ELETTROMECCANICO ECLR SERIES WITH ELECTROMECHANICAL RELAY

INTERFACCIA MODULARE A RELÈ ELETTROMECCANICO 6A, LARGHEZZA 6,2 mm  
6A ELECTROMECHANICAL RELAY INTERFACE MODULE, BREADTH 6,2mm

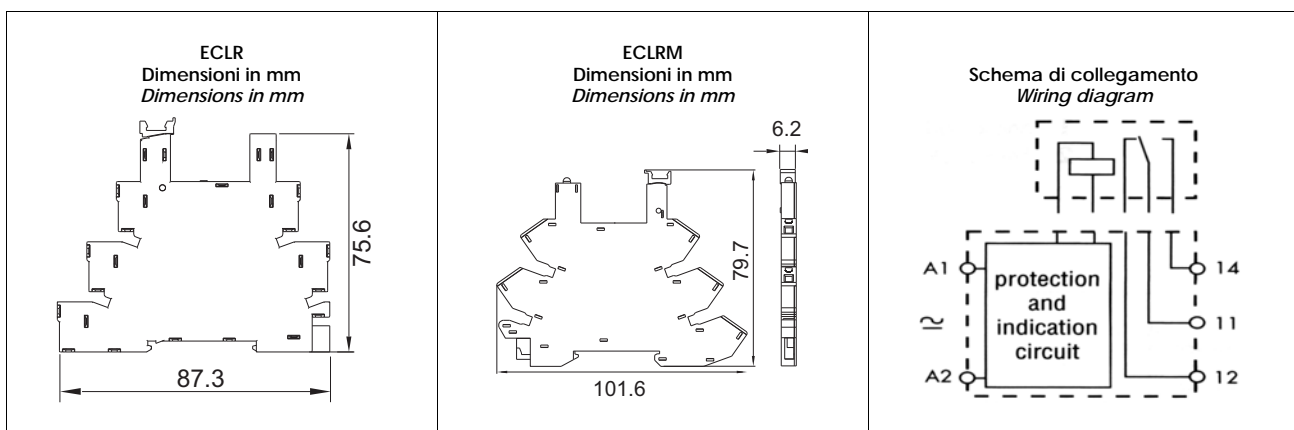


### TABELLA SELEZIONE INTERFACCIE SERIE ECLR - ECLR SERIES INTERFACE SELECTION TABLE

Tensione ingresso Interface Input voltage	Corrente uscita Output current	Tipo connessione Connection type	Modello Model
12VAC/DC ( 9,6-13,2V)	6A	Vite / Screw	ECLR-24AD-RM12
24VAC/DC ( 19,2-26,4V)	6A	Vite / Screw	ECLR-24AD-RM24
125VAC/DC (88-138V)	6A	Vite / Screw	ECLR-125AD-RM60
240VAC/DC ( 176-264V )	6A	Vite / Screw	ECLR-240AD-RM60
12VAC/DC ( 9,6-13,2V)	6A	Molla / Spring-Cage	ECLRM-24AD-RM12
24VAC/DC ( 19,2-26,4V)	6A	Molla / Spring-Cage	ECLRM-24AD-RM24
125VAC/DC 88-138V)	6A	Molla / Spring-Cage	ECLRM-125AD-RM60
240VAC/DC ( 176-264V )	6A	Molla / Spring-Cage	ECLRM-240AD-RM60

### RELÈ ELETTROMECCANICI IMPIEGATI NELLE INTERFACCIE ECLR/ECLRM ELECTROMECHANICAL RELAYS USED ON ECLR/ECLRM INTERFACES

Tensione controllo interfacce Interface control voltage	Codici / Codes EL.CO.
12V DC	ER-12D
24V DC	ER-24D
12V AC/DC	ER-12D
24V AC/DC	ER-24D
125V AC/DC	ER-60D
240V AC/DC	ER-60D





**TABELLA SELEZIONE ZOCOLI - SOCKET SELECTION TABLE**

	Modello <i>Model</i>	
	Connessione a Vite <i>Screw connection</i>	Connessione a molla <i>Spring-Cage connection</i>
Tensione controllo interfacce <i>Interface control voltage</i>		
12VAC/DC ( 9,6-13,2V)	ECLR-24AD	ECLRM-24AD
24VAC/DC ( 19,2-26,4V)	ECLR-24AD	ECLRM-24AD
125VAC/DC (88-138V)	ECLR-125AD	ECLRM-125AD
240VAC/DC (176-264V)	ECLR-240AD	ECLRM-240AD