



Features :

- ▶ Use with different bus bar
- ▶ Panel mount / DIN Rail mount (Optional accessory)
- ▶ Accuracy : Class 0.5 to 5

Certification : CE c US

Technical specifications

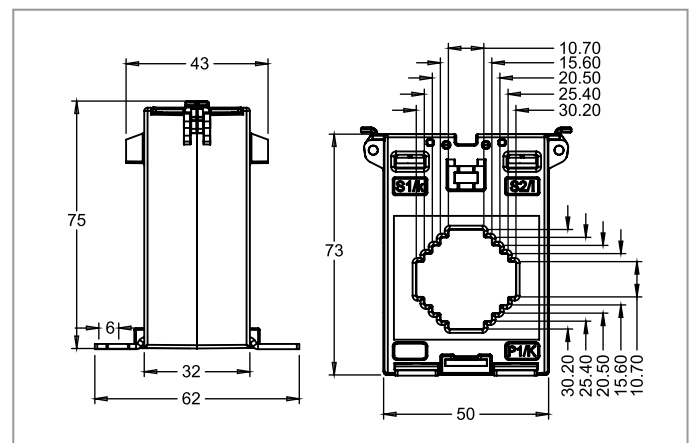
Input / Output specifications	
Rated primary rating	30A to 1200A
Rated secondary output	5A
Technical Specifications	
Rated burden (VA)	1VA to 15VA
Class of accuracy	0.5 to 5
Thermal nominal continuous	120% of In Rated current (Icth)
Thermal short circuit current (Ith)	60 X In for 1 sec
Instrument security factor	FS <5
Insulation class	E (120°C max)
Max operating voltage (Um)	720V Maximum
Isolation test voltage	3kV AC 1 Minute
Nominal rated frequency	50Hz - 60Hz
Environmental specifications	
Ambient temperature	0°C to +50°C
Humidity	< 95% RH (Non - condensing)
Storage temperature	-5°C to +50°C
Mounting	
Mounting modes	Panel Mount / DIN Rail Mount
Standard	
Applicable standard	IEC 61869-2

Ordering information

SPCT-50/30-60/5A-VA1-CL5-CE

Primary current	Accuracy	
	1	5
60	-	1 VA
75	1 VA	-
80	1 VA	-
100	1 VA	-
125	1.25 VA	-
160	1.5 VA	-
200	3 VA	-
250	3 VA	-
400	5 VA	-

Dimensions (All are in mm)

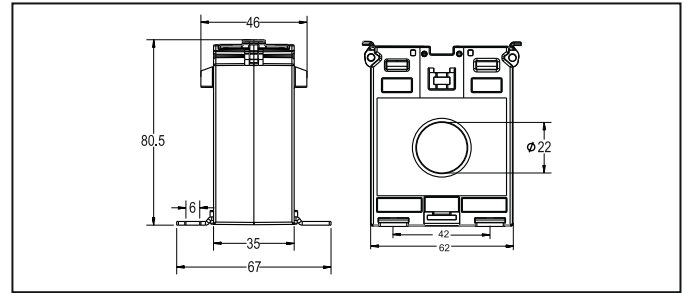


Ordering information

SPCT-62/22-30/5A-VA1-CL5-CE

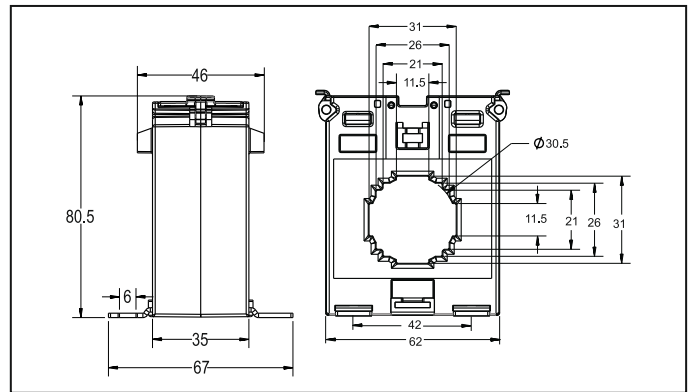
Primary Current	Accuracy
	5
30	1 VA

Dimensions (All are in mm)



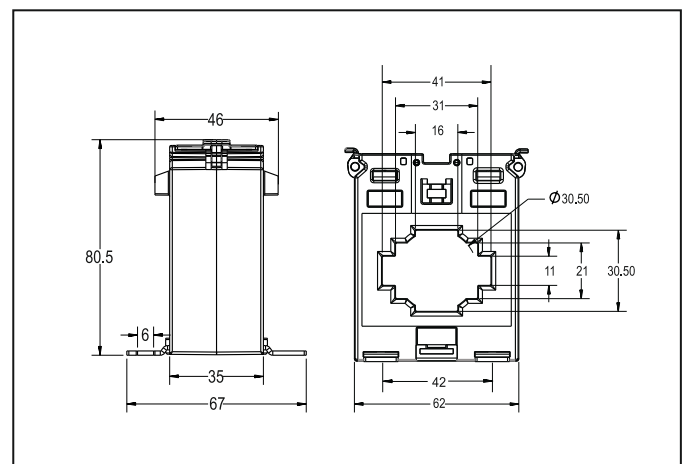
SPCT-62/30-50/5A-VA1-CL3-CE

Primary current	Accuracy		
	1	3	5
30	-	-	1 VA
50	-	1 VA	-
50	-	1.5 VA	-
75	-	1 VA	-
75	-	3 VA	-
100	1 VA	-	-
100	3 VA	-	-



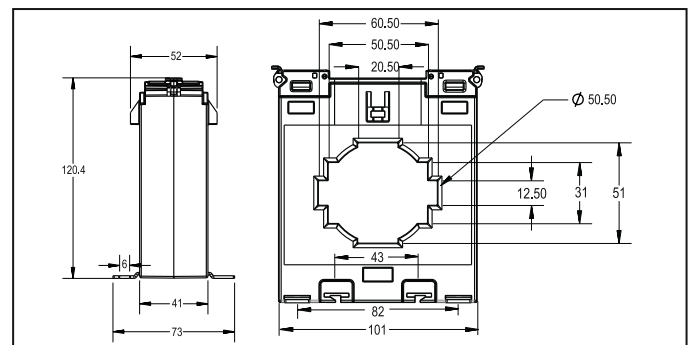
SPCT-62/40-100/5A-VA1-CL1-CE

Primary current	Accuracy	
	0.5	1
100	-	1 VA
100	-	3 VA
125	-	1 VA
150	-	1.5 VA
150	-	3 VA
160	-	1.5 VA
200	2.5 VA	3 VA
250	2.5 VA	3 VA
300	3 VA	-
400	3.75 VA	5 VA



SPCT-100/60-500/5A-VA5-CL1-CE

Primary Current	Accuracy	
	0.5	1
500	-	5 VA
600	5VA	7.5 VA
800	10 VA	-
1000	15 VA	-
1200	15 VA	-



Accessories

Product code	Certification
AC-SPCT-DRAIL-01 (Pack of 10)	---