

**General**

ERS-XXR and ERP-XXR timer relays are used in all fields (industry, house, plant etc.) need controls related to the time.

**Usage of Device and Working Principle**

Please make the connection according to the diagram. Please adjust the delaying time by the button. Energize the device. Device will count the stand by time. Power led gets on when the counting occurs, relay led gets on and off. During this step contact output is (NC) 5. After the time is up relay led gets on constantly and contact out put gets into (NO)6. Untill it is de-energized device remains the same..

ERS-XXR and ERP-XXR for immediate contact devices Out1(ERS-XXR=1-3 and ERP-XX=1-3) contact outputs are open when it is not energized. When it is energized output turns into closed position.

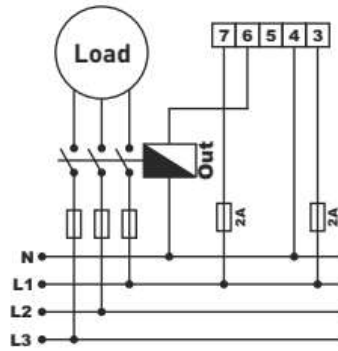
**Maintenance**

Switch off the device and release from connections. clean the trunk of device with a swab. Don't use any conductor or chemical might damage the device. make sure device works after cleaning.

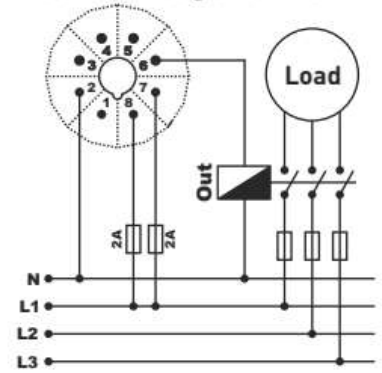
**Warnings**

Please use the device according to the manual. Don't use the device in wet. Include a switch and circuit breaker in the assembly. Put the switch and circuit breaker nearby the device, operator can reach easily. Mark the switch and circuit breaker as releasing connection for device.

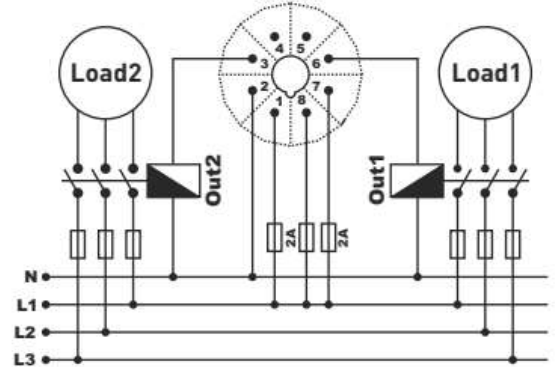
Connection diagram for ERP-XXY



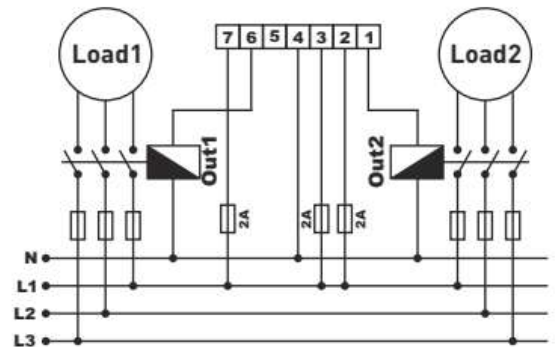
Connection diagram for ERS-XXY



Connection diagram for ERS-XXR



Connection diagram for ERP-XXR



ERS/ERP-XXY



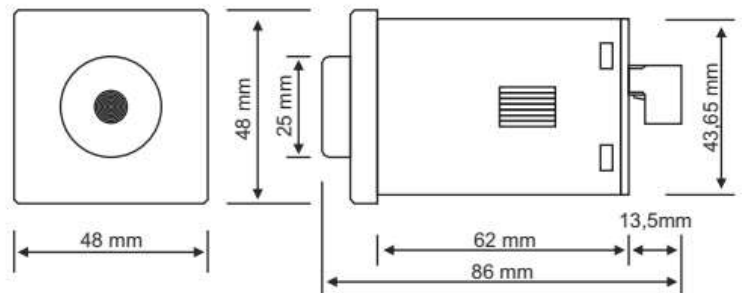
ERS/ERP-XXR



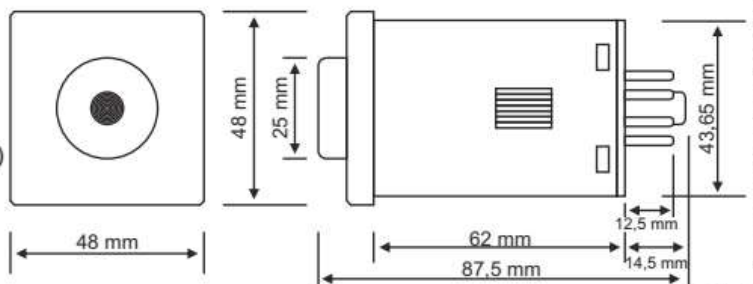
**Tecical Specifications:**

- Operating Voltage(Un): 170V - 260V AC
- Operating Frequency: 50/60 Hz.
- Operating Power: <4VA
- Operating Temperature: -20°C.....+55°C
- Time(t): 0,1sec. - 60min.
- Connection Type: Plug-in terminal(ERP-XXR)  
8 pin socket(ERS-XXR)
- Weight: max. 80gr.
- Contact: 5A/250V AC (Resistive Load)
- Mounting: Panel front mounted.
- Operating Altitude: <2000meter
- Cable Diameter: 1,5mm<sup>2</sup>

Dimensions for ERP-XXY / ERP-XXR



Dimensions for ERS-XXY / XXR



**Contacts:** www.tense.com.tr info@tense.com.tr

**MADE IN TURKEY**

